

2 SENSOR DUAL MFZ IR DOME

5M 2Ch
TOTAL
10MP



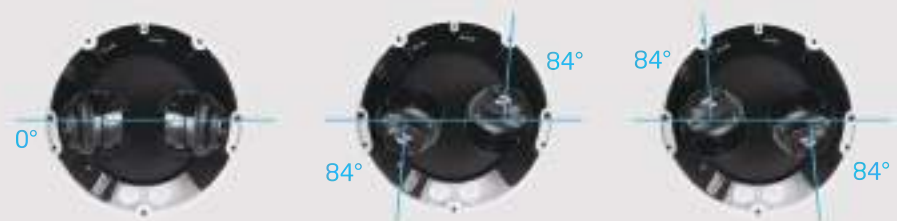
Monitor two different areas with one camera

It is installed in long corridors, corners, and complex stores.
One lens provides a wide view covering the entire area, and the other can be zoomed in and taken in detail.



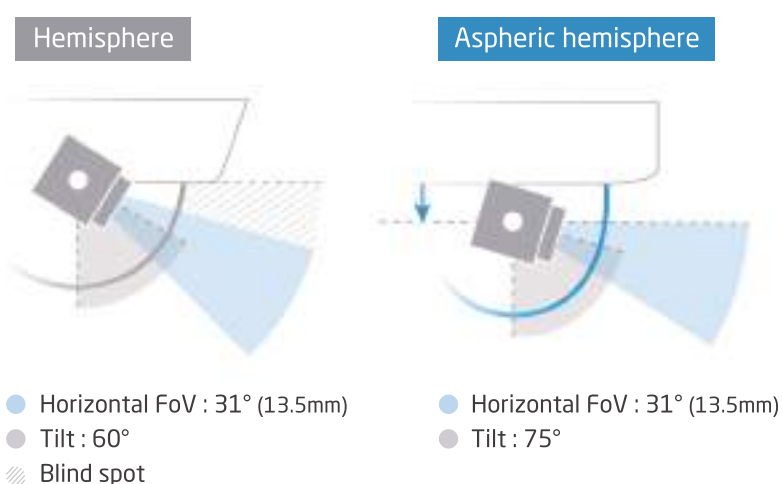
Dual MFZ lens module

Taking two-way of a complex or wide area with a single camera setting the 84° rotating dual sensor module differently. Feel free to tilt, rotate, and pan to the desired angle.
The vari-focal lens provides a horizontal field of view from 31° to 96°.



Aspheric hemispherical camera

With the aspheric hemispherical technology, the tilt angle extends to 75° by raising the center axis of the module from the body. It can minimize the area covered by screen obscuring and support thorough monitoring without blind spots.



Easy installation

- 1 Fit the bracket and bottom case with safety wire.
- 2 Tighten with a screw.
- 3 Turn to Lock and Unlock.

