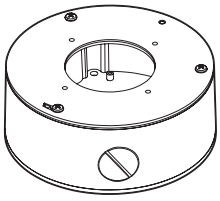


## 1. Part Name & Dimension

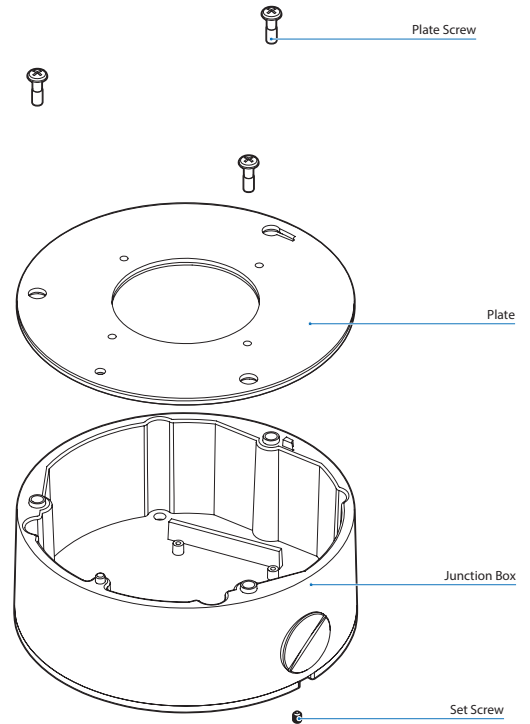


### Junction Box Manual Bullet Camera

#### Quick Manual

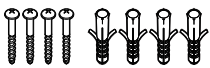
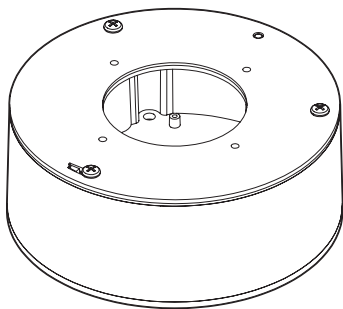
Ver. 1.0 / 2017.05

Before installing and using the IR Sunshield, please read this manual carefully.  
Be sure to keep it handy for future reference.



## 2. Product & Accessories

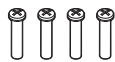
☒ Please check if all the camera and accessories are included in the package.



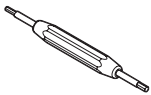
Screw &  
Plastic Anchor-4pcs



Plate Screw



Camera Mount Screw



1.5/2.0mm TOOL

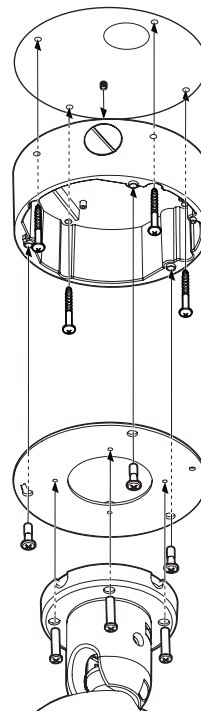


User's Manual



Mount Template

## 3. Installation



- 1 Making holes on the Ceiling Panel**  
Using provided template sheet, make holes on the ceiling panel in the desired location.
- 2 Attaching mount bracket**  
By tightening four screws provided, attach the mount bracket on the panel.
- 3 Connecting Cables**  
Connect the power, audio, alarm and network cables respectively.
- 4 Mounting Camera mechanism**  
After passing the cables through the hole in the bottom of bracket, align the orientation of three screw in the camera mechanism to be assembled into the mount.