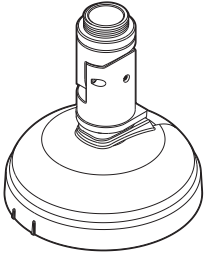


1. Dimension & Accessories

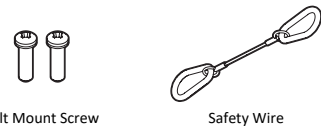
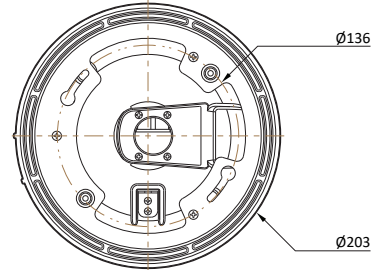
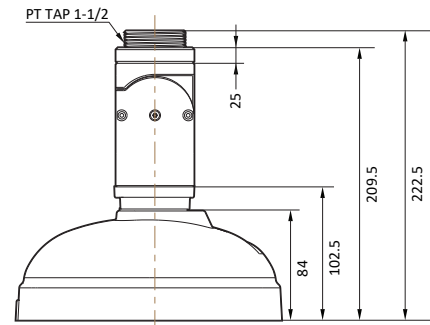


Angle Ceiling Bracket Manual Multi-Sensor Outdoor Dome Camera

Quick Manual

Ver. 1.1 / 2021.08

Before installing and using the Camera, please read this manual carefully.
Be sure to keep it handy for future reference.



Tilt Mount Screw

Safety Wire



Manual

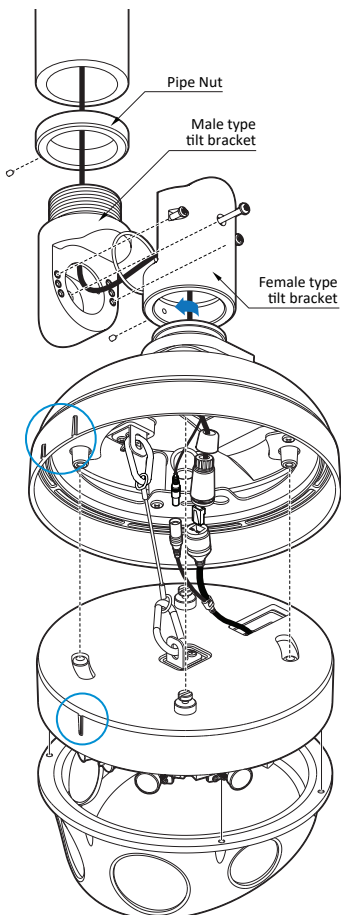


Torx Wrench

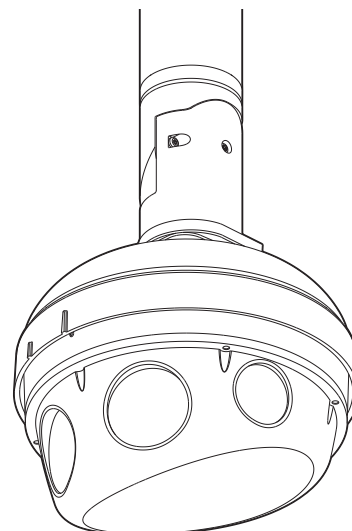
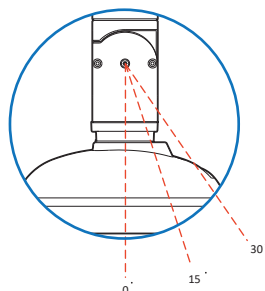


Hexagonal Wrench

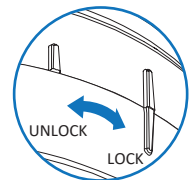
2. Installation



- 1 Disassemble the Male type tilt bracket and Female type tilt bracket..
- 2 Pass the cable through the Male type tilt bracket and fasten it to the pipe you want to secure.
- 3 After tightening, adjust the position with the pipe nut and secure the set screw using hex wrench.
- 4 Pass the cable through the O-ring and Female type tilt bracket and tighten the Torx-20 screw at the desired angle with the torx wrench.
 - ⊠ Be careful not to dislodge the O-ring when tightening.



- 5 Pass the cable through the Mount cap, tighten the Mount cap on the tilt bracket and secure it with set screw.
 - ⊠ Be careful as there is a risk of disconnection if the cable is pulled too hard.
- 6 Hook the safety wire and connect the cable.
- 7 Remove the rubber cap from the camera bottom, insert the camera according to the turn direction of the mount cap, turn it and adjust it to the fixed direction, and fix it with screw.



- 8 Assemble the upper case.

[Camera List]

