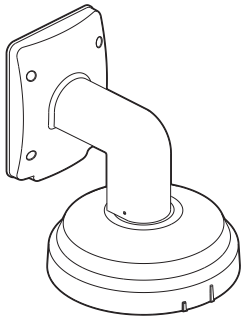


1. Accessories

☒ Please check if all the camera and accessories are included in the package.

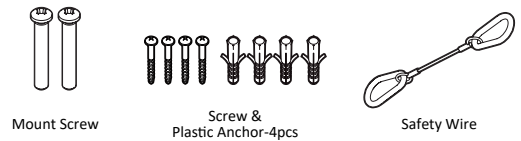
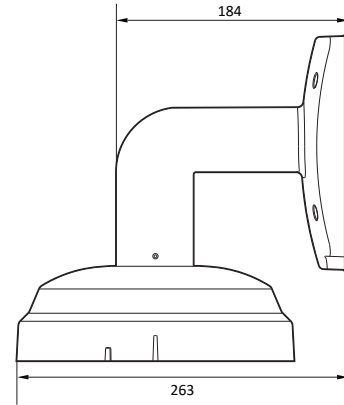


Wall Bracket Manual Multi-Sensor Outdoor Dome Camera

Quick Manual

Ver. 1.0 / 2021.08

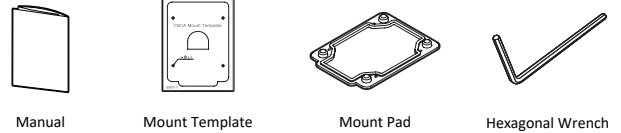
Before installing and using the Camera, please read this manual carefully.
Be sure to keep it handy for future reference.



Mount Screw

Screw &
Plastic Anchor-4pcs

Safety Wire



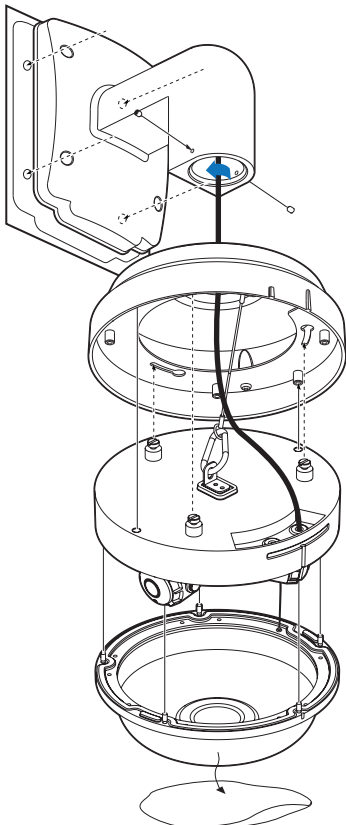
Manual

Mount Template

Mount Pad

Hexagonal Wrench

2. Installation



- 1 Install it on the wall according to the template sheet. Attach the Bracket to the Mount Pad and secure it with screws.
- 2 Turn the bracket and bracket head to connect. After connecting, use a hex wrench to fix it with a set screw.
- 3 Connect Safety Wire to Head and Camera.
- 4 Tighten the camera to fit the 3 holes. At this time, tighten it to fit the joint.



- 5 After tightening, secure it with two mount screws.
- 6 Secure the dome cover to the camera's bottom case using the torx wrench.
- 7 Remove the protective film from the camera's dome to complete the installation.