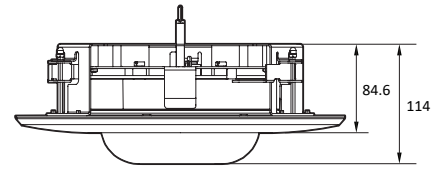
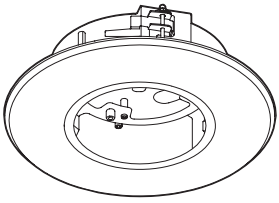


1. Accessories & Dimension

☒ Please check if all the camera and accessories are included in the package.

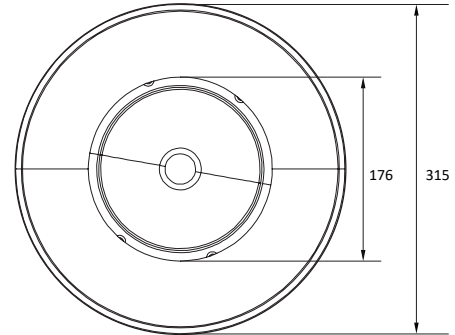


Inceiling Bracket Manual Multi-Sensor Outdoor Dome Camera

Quick Manual

Ver. 1.0 / 2020.02

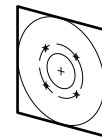
Before installing and using the Camera, please read this manual carefully.
Be sure to keep it handy for future reference.



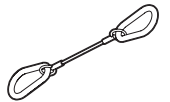
Manual



Eye Bolt

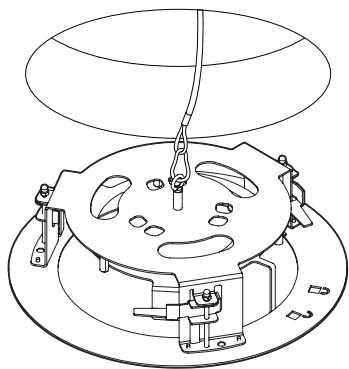


Mount Template

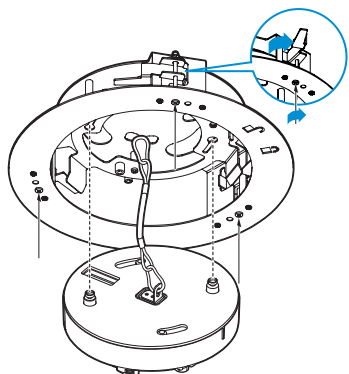


Safety Wire 2ea

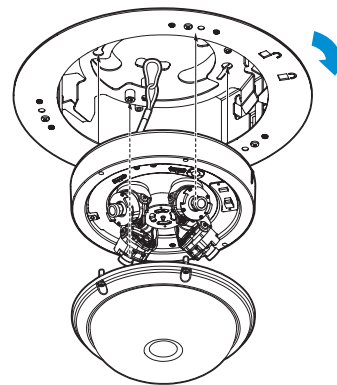
2. Installation



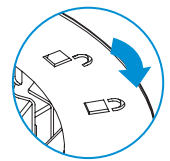
- 1 Connect the Eye Bolt and Safety Wire to fix it.



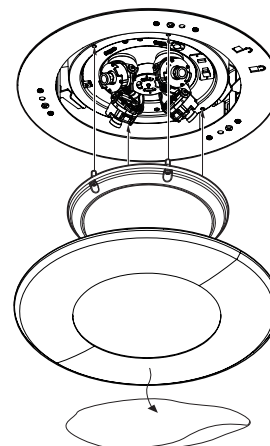
- 2 Turn the 3Point In-ceiling wing with a screwdriver to fix it while expanding.
- 3 Connect the camera using the Safety Wire.



- 4 Align the Mount Point, insert the center and turn it to the right to attach it.



- 5 Remove the bottom rubber cap and fix it completely using 2Point Screw.



- 6 After adjusting the camera, tighten the upper screw to connect the top case.

- 7 Complete the installation by attaching the cover case with the magnet attached in-sealing bracket.

- 8 Remove the camera dome cover film.