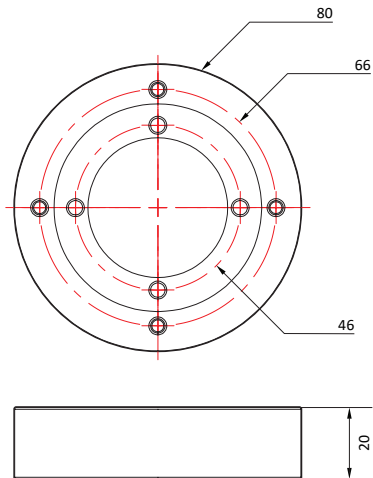


# 1. Dimension & Accessories

---



Mount  
Screw 4ea



Manual