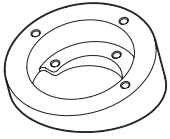


1. Dimension & Accessories

☒ Please check if all the camera and accessories are included in the package.

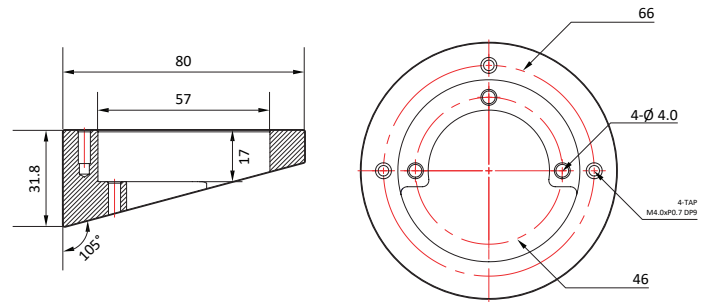


Angle Mount Bracket Manual Indoor Micro Dome Camera

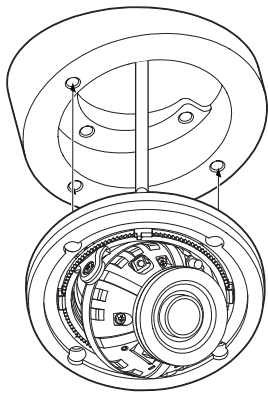
Quick Manual

Ver. 1.0 / 2021.05

Before installing and using the Camera, please read this manual carefully.
Be sure to keep it handy for future reference.



2. Installation



- 1 Mount the angle mount on the wall.
- 2 Connect the cable.
- 3 Attach the camera bottom to the mount hole.
- 4 After adjusting the camera, attach the upper case to complete the mounting.